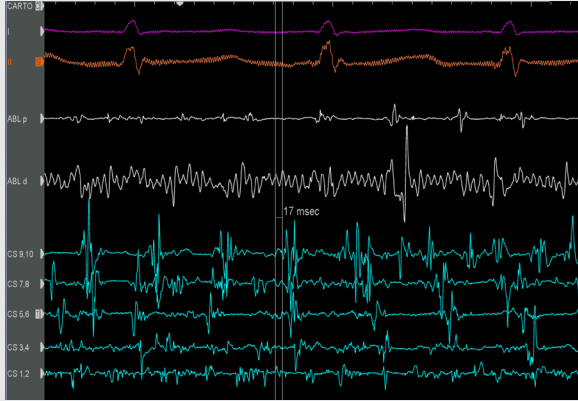


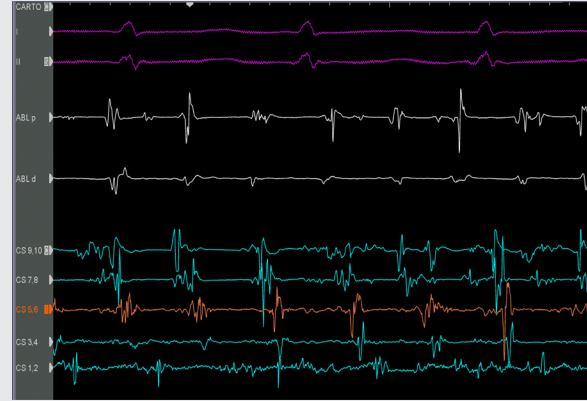


CLEAR IMAGE SCIENTIFIC®

The Clear Image Scientific® CIS Model-6 is a six-outlet power conditioner that has been recognized by hospitals and physicians around the world for its ability to measurably eliminate power line noise related problems. Case studies have demonstrated the dramatic effectiveness of CIS power conditioners to improve medical imaging performance.



Minneapolis VA Hospital:
Screen 1: Before CIS Model-6 application

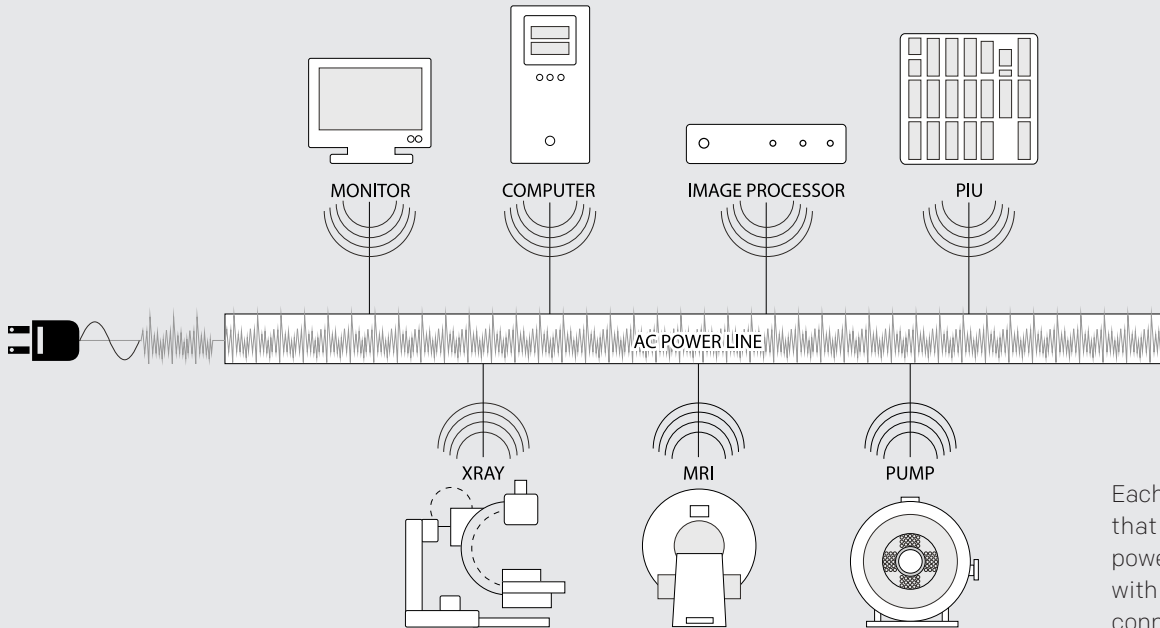


Minneapolis VA Hospital:
Screen 2: After CIS Model-6 application

INTER-CARDIAC TRACINGS

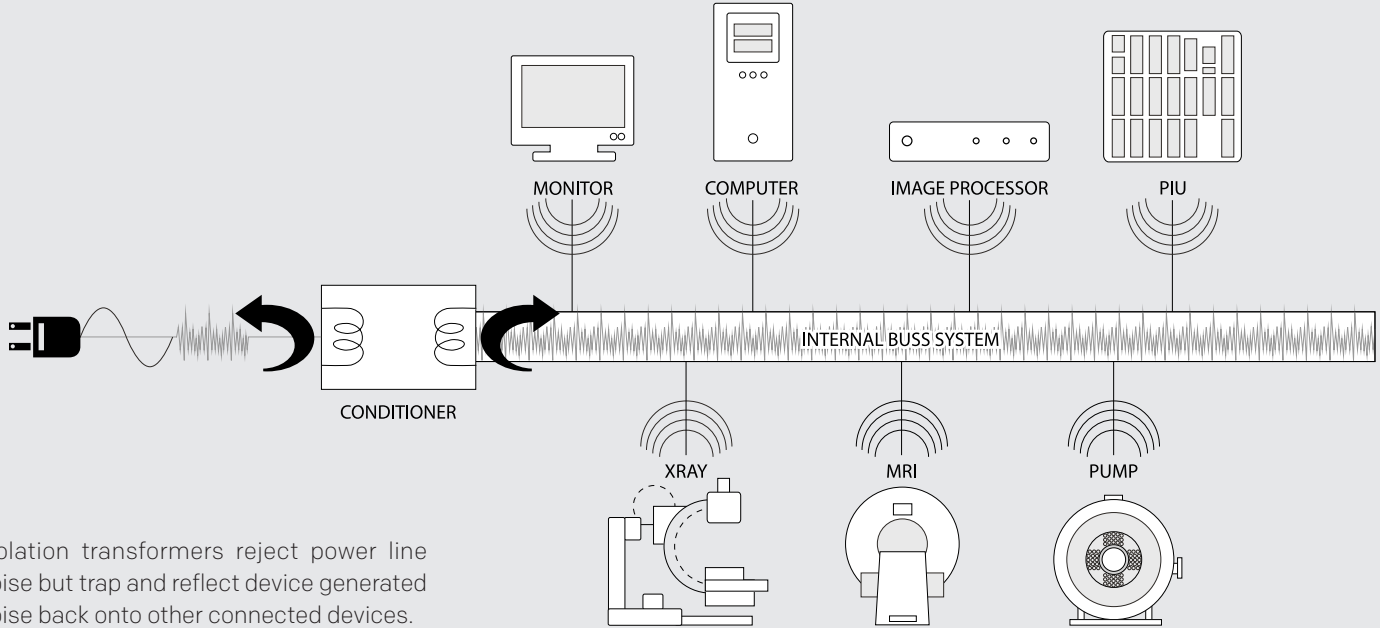
At top left, there is significant 60Hz noise on central cardiac signals. With CIS Model-6 (top right) noise is completely absent on ABL d heart signal and baseline noise on Cardiac Signal tracings is gone.

CCI - COMPONENT-TO-COMPONENT INTERFERENCE



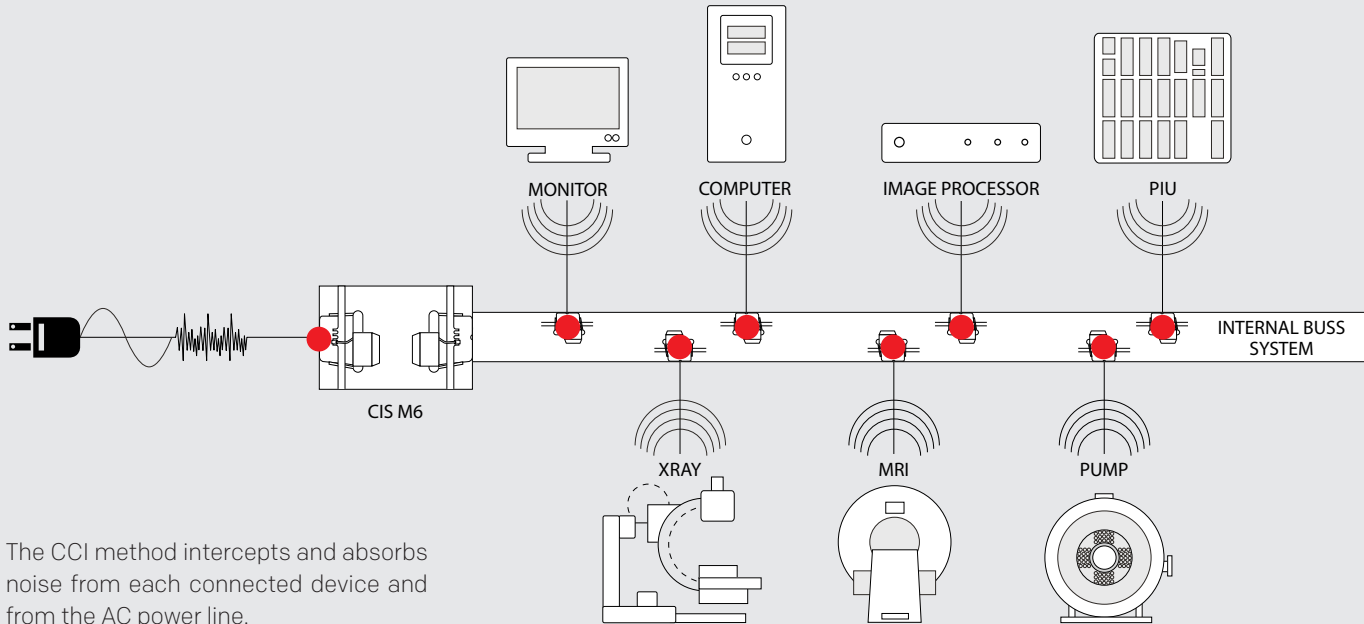
Each device generates noise that is conducted onto the power line where it interferes with the operation of other connected devices.

WHY ISOLATION TRANSFORMERS DON'T WORK



Isolation transformers reject power line noise but trap and reflect device generated noise back onto other connected devices.

THE CIS MODEL-6 SOLUTION!



The CCI method intercepts and absorbs noise from each connected device and from the AC power line.

TECHNOLOGY

NON-REACTIVE NOISE REDUCTION

Many traditional power conditioners contain elements that may have a negative impact on the operation of sensitive medical devices. They often use *reactive* transformers and capacitors that can interfere with the proper operation of precision scientific devices. Consequently, *traditional* power conditioners are not recommended for use with medical devices designed to detect and process subtle, low-level, electrical signals.

CIS power products are *non-reactive* by design. This means that they have no elements that may interfere with the proper operation of sensitive scientific and medical electronic devices. CIS products provide reliable and trouble-free operation while improving the performance of the connected devices. This explains why CIS power products have achieved remarkable success in the burgeoning medical imaging industry.

**CLEAR IMAGE SCIENTIFIC® POWER CONDITIONERS ARE VERY DIFFERENT FROM
TRADITIONAL POWER CONDITIONERS OR ISOLATION TRANSFORMERS DUE TO THEIR
PATENTED NIC™ AND PROPRIETARY TECHNOLOGIES.**

CCI™ NOISE REDUCTION

Traditional power conditioners are designed to block noise coming *in from the power line* but do not address the noise that is generated by the *electronic devices themselves*. The power supplies in electronic medical equipment produce spurious RFI and EMI emissions that may be conducted to the other devices in the system through the power cords, power strips and in-wall power wiring. In fact, most conditioners actually *reflect noise back onto other devices* connected to the power conditioner. CCI™ (*Component-to-Component Interference*) is one of the most significant but often overlooked aspects to power system performance. The CIS Model-6 uses proprietary multi-stage CCI™ filters that reduce power supply generated RFI and transient impulse noise.

CCI™ INTERFERENCE LEVELS CAN BE REDUCED MORE THAN 60 dB FROM 500 KHz TO 10 MHz

NIC™ – NOISE ISOLATION CHAMBER

The CIS Model-6 contains the patented NIC™ technology that reduces high frequency power line noise. An NIC™ contains a non-reactive ferroelectric substance that actually absorbs high frequency noise. This allows CIS power conditioners to reduce noise without any of the negatives effects associated with transformers, coils or large capacitors commonly used in conventional power conditioner designs.

~ *Patent US 8,658,892* ~

DTCD™ – DYNAMIC TRANSIENT CURRENT DELIVERY

In complex medical or scientific imaging systems, DTCD™ (*Dynamic Transient Current Delivery*) is one the most critical aspects related to power delivery performance. DTCD™ Analysis is a proprietary measurement device and technique that CIS engineers developed to measure instantaneous current through low impedance electrical conductors and contacts. CIS uses the DTCD™ Analyzer to optimize the design and operation of CIS power products, ensuring maximum instantaneous current delivery performance.

HIGH-CURRENT CAPABILITY

The CIS Model-6 delivers the full, continuous, power from an industrial 15 amp circuit. Common power conditioners use fuses or thermal breakers that when heavily loaded can cause voltage drops, thermal noise, excessive heat generation and current limiting. The CIS Model-6 uses an advanced *hydraulic electromagnetic breaker*. This combined with massive 12 gauge internal wiring, allows the CIS Model-6 to operate right up the to the maximum, continuous, current rating without the limitations caused by conventional fuses and thermal breakers.

NO HEAT - NO HUM - NO RADIATION

Model-6 power conditioners do not hum, vibrate, generate heat or radiate electromagnetic fields of any kind. This allows them to be used in the most sensitive medical and scientific environments. The CIS Model-6 units will provide many years of trouble-free, silent operation.



SPECIFICATIONS

ADVANCED TECHNOLOGIES

- NIC™ v2 (Patented)
- QR/BB (Patent pending)
- Gemini Surge Module
- CCI™ Medical Grade Filters

OVER CURRENT PROTECTION

- Hydraulic Electromagnetic Breaker: 20A
- Transient suppression:
40,000 Amps @ 8/50μs

ELECTRICAL CHARACTERISTICS

- Input Voltage: 90-125 ~ V ac unregulated
- Current Rating (max): 15 A
- Power Rating: 1800 W
- Leakage Current: < 100 mA

CONNECTORS

- Inlet: IEC C20
- Medical Grade Outlets: NEMA 5-20R



NOISE SUPPRESSION

- CCI™ Zone to Zone:
> 300 KHz to 10 MHz = > 60db
> 200 KHz to 30 MHz = > 40db
- AC Input to Z1, Z2 or Z3
> 500 KHz to 30 MHz = > 30db

POWER CORD

- Detachable NEMA 5-15P
- IEC C19 Connector
- UL Listed Medical Grade
- Length: 6 feet (1.8 m)

CONSTRUCTION

- All aluminum chassis
- Powder coated chassis
and faceplate

DIMENSIONS

Width: 43.5 cm
Depth: 25.9 cm
Height: 11.4 cm
Weight: 5.4 kg

REGULATIONS

MEDICAL GRADE

This product complies with electrical safety measures required for devices that can potentially be exposed to patients and medical staff.

REGULATORY COMPLIANCE IDENTIFICATION NUMBERS

For the purpose of regulatory compliance certifications and identification, this product has been assigned a unique model identification and serial number. The model and serial number can be found on the back or bottom of the device. When requesting compliance information for this product, always refer to the model and serial number. The model and serial number should not be confused with the trade name and logo on the face of the product.



THIS PRODUCT COMPLIES WITH THE FOLLOWING EC DIRECTIVES:

Cé produit se conforme aux directives de la Communauté Européene suivantes,

Dieses Produkt entspricht den nachstehend aufgeführten Richtlinien der Europäischen Union,

Questo prodotto si conforma ai sequenti direttivi della Comunità europea,

Esto producto cumple con las directivas siguientes de la Comunidad Económica Europea:

2014/30/EU (EMC Directive)

2014/35/EU (Low Voltage Directive)

2011/65/EU (RoHS)

A full copy of the Declaration of Conformity is available upon request.

LIMITED WARRANTY

Clear Image Scientific® warrants this product to be free of manufacturing defects in materials and workmanship for a period of two-years from date of purchase, in accordance with exclusions and conditions.

Refer to the warranty for more detailed information.



CLEAR IMAGE SCIENTIFIC®

CIS MODEL-6

26273 Twelve Trees Ln NW
Suite D
Poulsbo, WA 98370 USA

contact@clearimagescientific.com
360.994.4258